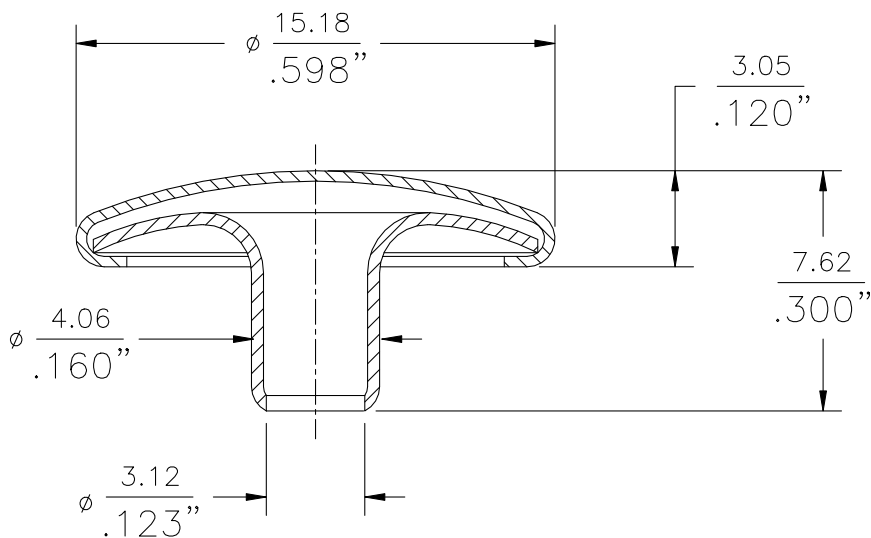
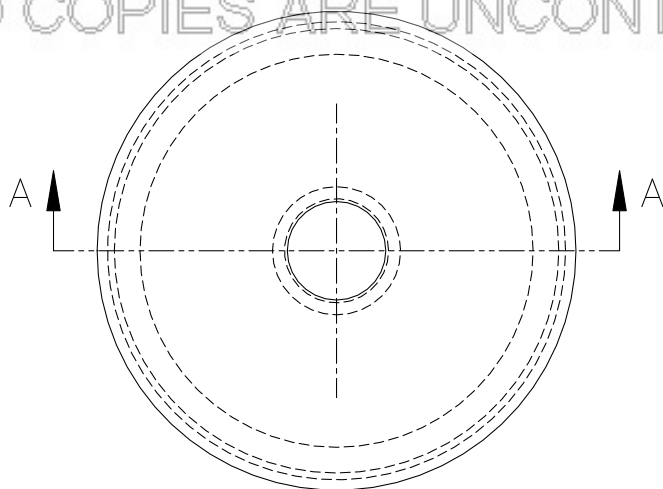


Remarks

PDC	03-30
SURFACE AREA	

PRINTED COPIES ARE UNCONTROLLED




SECTION A-A

	MATERIAL	SIZE
EYELET	304 STAINLESS STEEL	0.38/.015"
CAP	304 STAINLESS STEEL	0.33/.013"

MILLIMETER ; MILLIMETER / INCH
INCH

TOLERANCES: -DECIMALS 0.13 / ±.005"
Unless otherwise specified. FRACTIONS 0.20 / ±.008"
ANGLES ±1/2°

NO.	ALTERATION	DATE	BY	APP'D



Stimpson
CO. INC.

1515 SW 13TH CT POMPANO BEACH, FL 33069

PART NAME: CAPPED EYELET

MATERIAL: SEE TABLE SIZE: SEE TABLE

SCALE: 4:1 DEPT: MERCH.

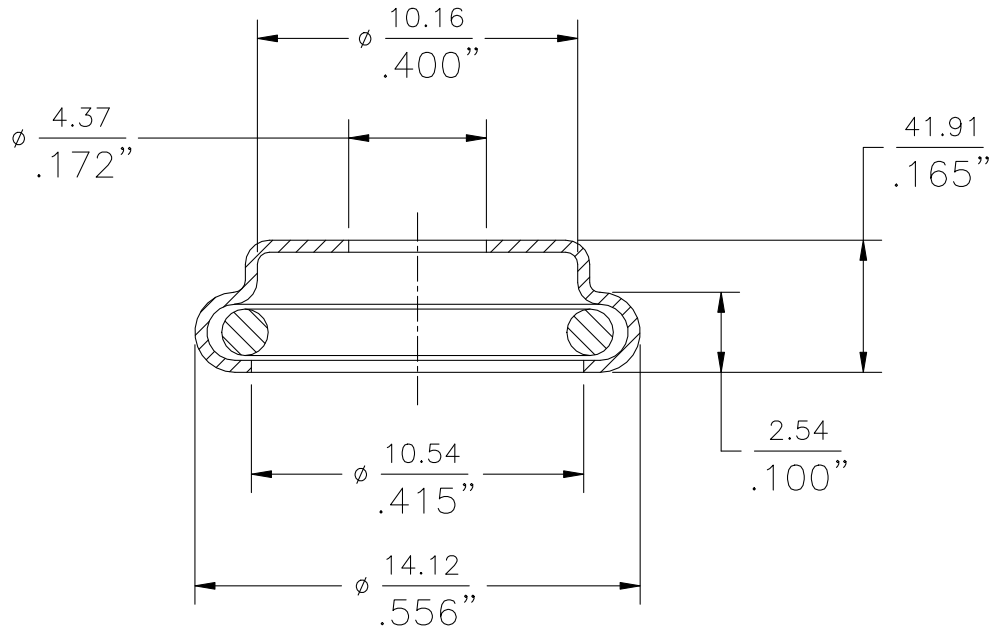
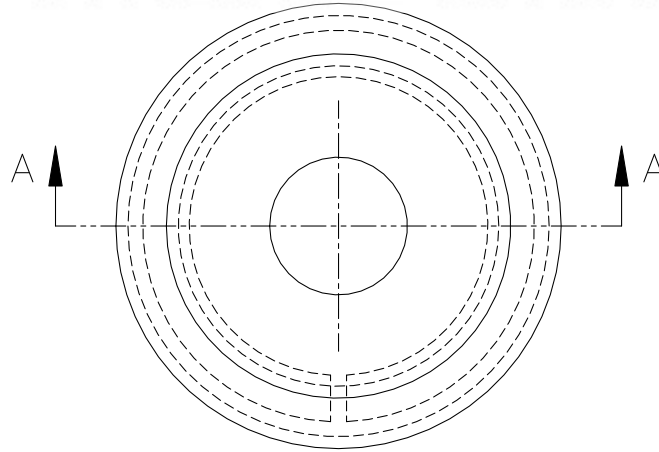
DRAWN: L.TOLENTINO	CHECKED: B.T.	APP'D: J.C.
DATE: 11.27.17	DATE: 11.28.17	DATE: 11.28.17

PART No. SCA200

Remarks

PDC	03-31
SURFACE AREA	

PRINTED COPIES ARE UNCONTROLLED



SECTION A-A

MILLIMETER ; MILLIMETER / INCH
INCH

TOLERANCES: -DECIMALS 0.13 / ±.005"

Unless otherwise specified. FRACTIONS 0.20 / ±.008"
ANGLES ±1/2°

NO.	ALTERATION	DATE	BY	APP'D



Stimpson
CO. INC.



1515 SW 13TH CT POMPANO BEACH, FL 33069

PART NAME: SOCKET

MATERIAL: 304 STAINLESS STEEL SIZE: 0.38/.015"

SCALE: 4:1

DEPT: MERCH.

DRAWN: L.TOLENTINO

CHECKED: B.T.

APP'D: J.C.

DATE: 11.27.17

DATE: 11.28.17

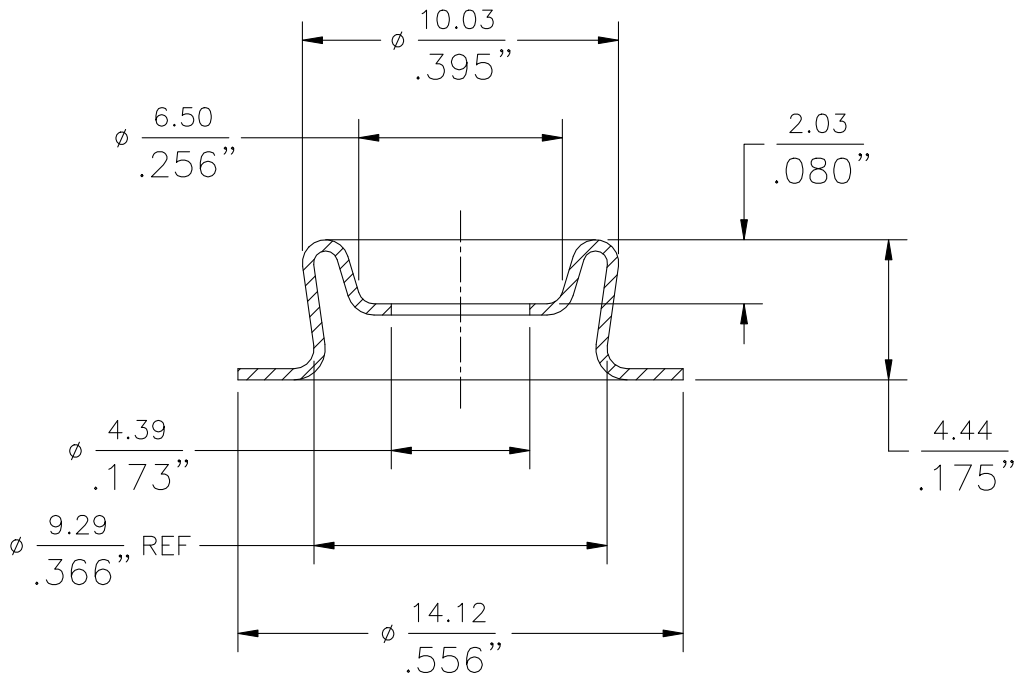
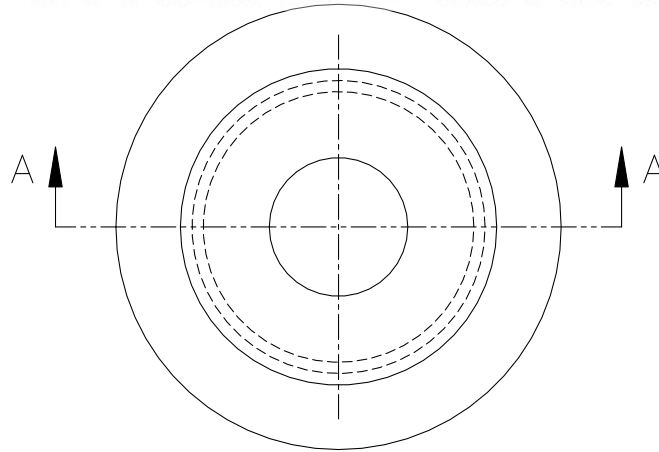
DATE: 11.28.17

PART No. SS0201

Remarks

PDC	03-32
SURFACE AREA	

PRINTED COPIES ARE UNCONTROLLED



SECTION A-A

MILLIMETER / INCH ; MILLIMETER / INCH

TOLERANCES: -DECIMALS 0.13 / $\pm .005''$

Unless otherwise specified. FRACTIONS 0.20 / $\pm .008''$
 ANGLES $\pm 1/2^\circ$

NO.	ALTERATION	DATE	BY	APP'D



Stimpson
CO. INC.



1515 SW 13TH CT POMPANO BEACH, FL 33069

PART NAME: STUD
 MATERIAL: 304 STAINLESS STEEL SIZE: 0.35/.014"
 SCALE: 4:1 DEPT: MERCH.

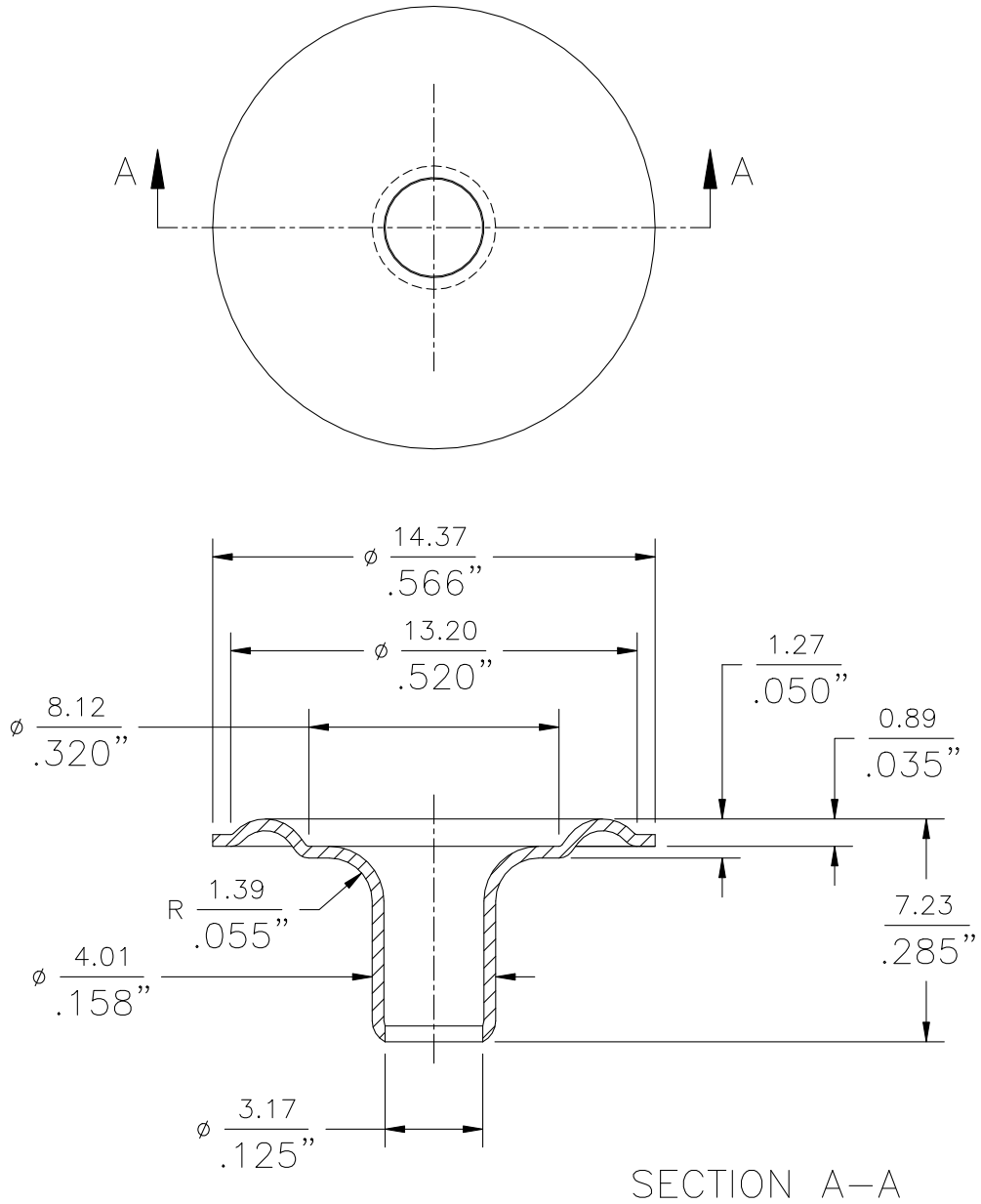
DRAWN: L.TOLENTINO	CHECKED: B.T.	APP'D: J.C.
DATE: 11.27.17	DATE: 11.28.17	DATE: 11.28.17

PART No. SST202

Remarks

PDC	03-33
SURFACE AREA	

PRINTED COPIES ARE UNCONTROLLED



MILLIMETER / INCH ; MILLIMETER / INCH
INCH

TOLERANCES: -DECIMALS 0.13 / ±.005"

Unless otherwise specified. FRACTIONS 0.20 / ±.008"
ANGLES ±1/2°

NO.	ALTERATION	DATE	BY	APP'D



Stimpson
CO. INC.



1515 SW 13TH CT POMPANO BEACH, FL 33069

PART NAME: POST

MATERIAL: 304 STAINLESS STEEL SIZE: 0.38/.015"

SCALE: 4:1

DEPT: MERCH.

DRAWN: L.TOLENTINO

CHECKED: B.T.

APP'D: J.C.

DATE: 11.27.17

DATE: 11.28.17

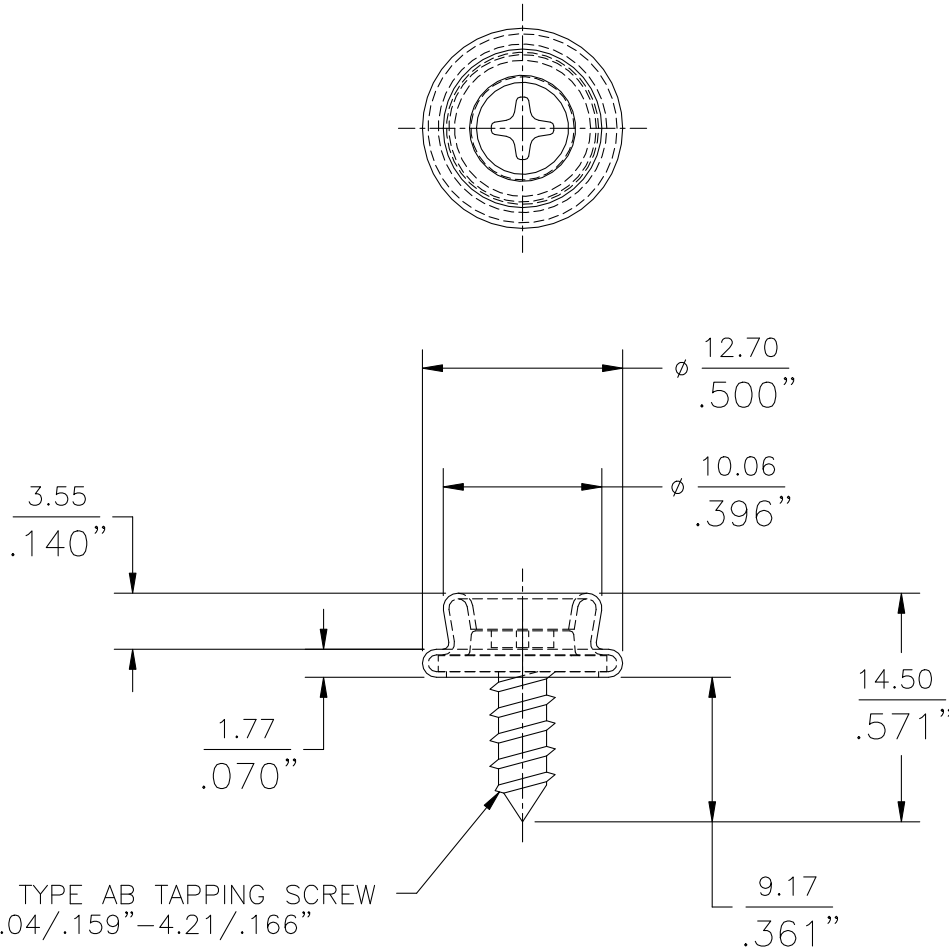
DATE: 11.28.17

PART No. SP0203

Remarks

PDC	03-40
SURFACE AREA	

PRINTED COPIES ARE UNCONTROLLED




#8-18 TYPE AB TAPPING SCREW
O.D. 4.04/.159"–4.21/.166"

MILLIMETER / INCH ; MILLIMETER / INCH
INCH

TOLERANCES:—DECIMALS 0.13 / ±.005"
Unless otherwise specified. FRACTIONS 0.20 / ±.008"
ANGLES ±1/2°

NO.	ALTERATION	DATE	BY	APP'D



1515 SW 13TH CT POMPANO BEACH, FL 33069

PART NAME: SCREW STUD

MATERIAL: 304 STAINLESS STEEL SIZE: 0.35/.014"

SCALE: 2:1 DEPT: MERCH.

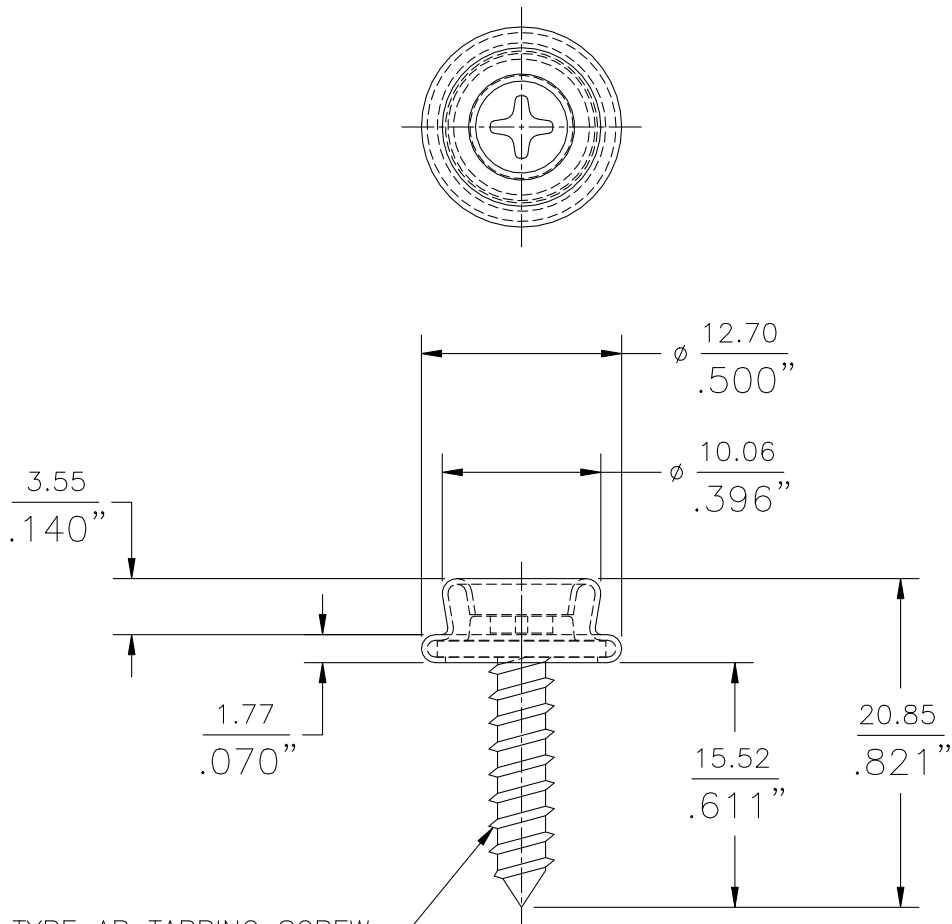
DRAWN: L.TOLENTINO	CHECKED: B.T.	APP'D: J.C.
DATE: 11.27.17	DATE: 11.28.17	DATE: 11.28.17

PART No. SST204

Remarks

PDC	03-40
SURFACE AREA	

PRINTED COPIES ARE UNCONTROLLED



#8-18 TYPE AB TAPPING SCREW
O.D. 4.04/.159"-4.21/.166"

MILLIMETER / INCH ; MILLIMETER / INCH
INCH

TOLERANCES: -DECIMALS 0.13 / ±.005"

Unless otherwise specified. FRACTIONS 0.20 / ±.008"
ANGLES ±1/2°

NO.	ALTERATION	DATE	BY	APP'D



Stimpson
CO. INC.



1515 SW 13TH CT POMPANO BEACH, FL 33069

PART NAME: SCREW STUD

MATERIAL: 304 STAINLESS STEEL SIZE: 0.35/.014"

SCALE: 2:1

DEPT: MERCH.

DRAWN: L.TOLENTINO

CHECKED: B.T.

APP'D: J.C.

DATE: 11.27.17

DATE: 11.28.17

DATE: 11.28.17

PART No. SST205