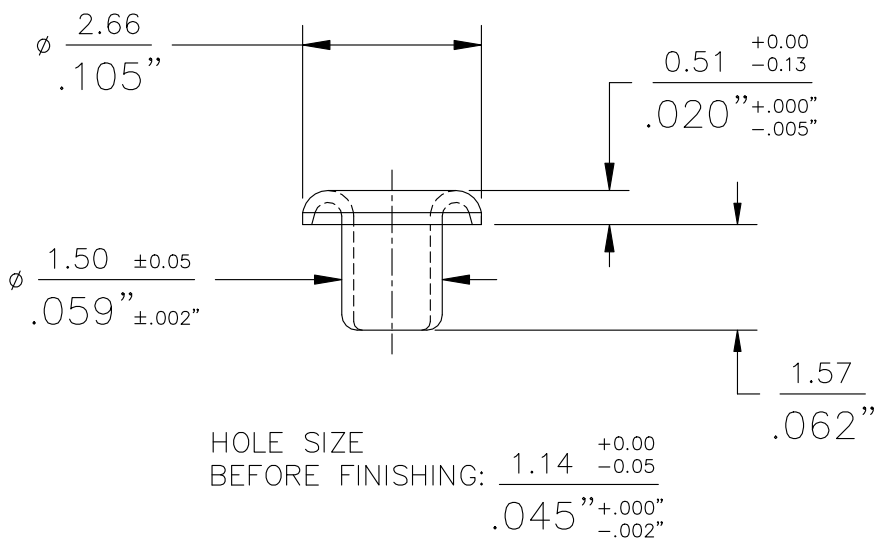
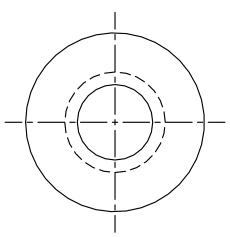


Remarks WAS A2297

PDC	01-01
SURFACE AREA	435Q"/1,000 PCS

PRINTED COPIES ARE UNCONTROLLED



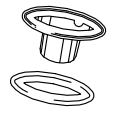
	MATERIAL
	70/30 BRASS
	C.R. STEEL
Ⓑ-	5050 ALUM.
Ⓒ-	65/35 BRASS

MILLIMETER ; MILLIMETER / INCH  
INCH

TOLERANCES: -DECIMALS 0.13 / ±.005"  
Unless otherwise specified. FRACTIONS 0.20 / ±.008"  
ANGLES ±1/2"



**Stimpson**  
CO. INC.



1515 SW 13TH CT POMPANO BEACH, FL 33069

D	ADDED MILLIMETERS	8/25/17	OFF.	BT
C	ADDED 65/35 BRASS	9/09/13	OFF.	RF
B	ADDED 5050 ALUM.	9/21/01	OFF.	BF
A	WAS REDRAWN 5/3/79	4/26/89	OFF.	BF
NO.	ALTERATION	DATE	BY	APP'D

PART NAME: EYELET
MATERIAL: SEE TABLE
SCALE: 8=1
DEPT: PW. PR.
SIZE: 0.18/.007"

DRAWN: J.A.Y.	CHECKED: V.P.	APP'D: R.F.B.
DATE: 4.26.89	DATE: 4.26.89	DATE: 4.28.89

PART No. GS2-2