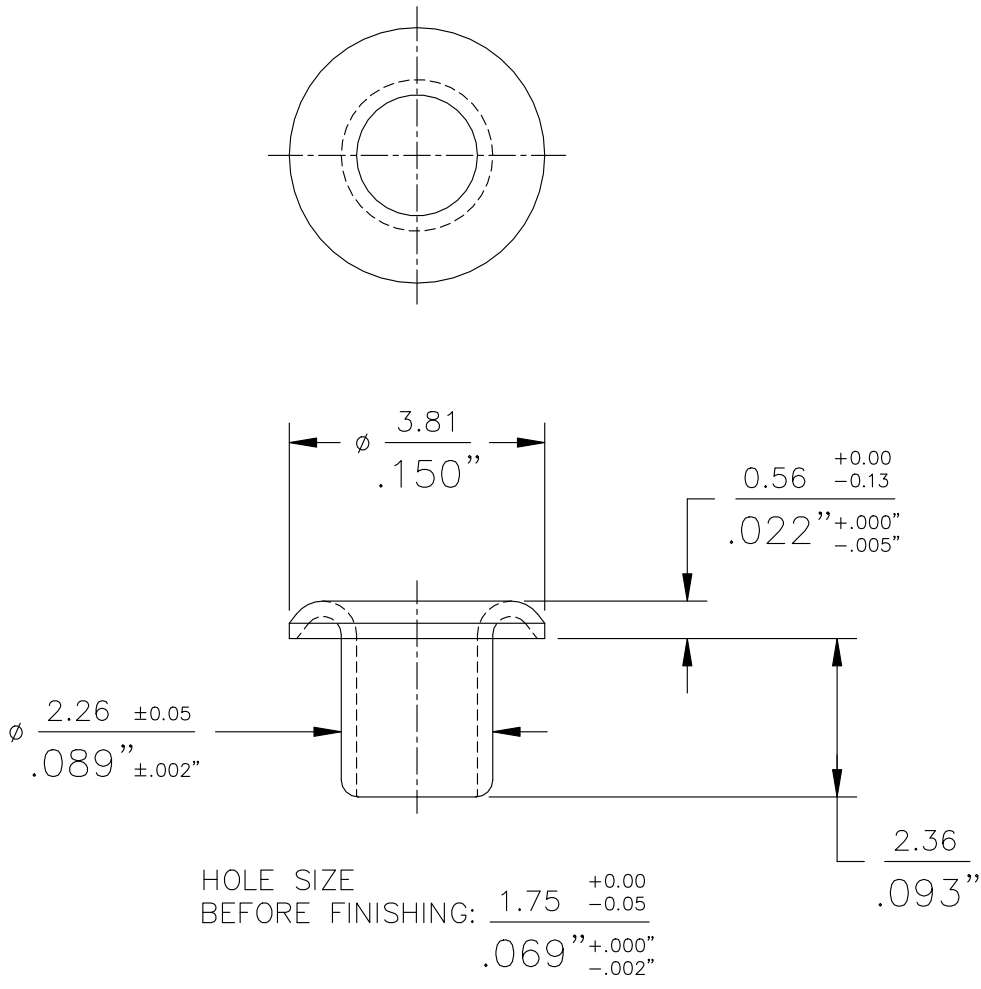


PRINTED COPIES ARE UNCONTROLLED



(B)	MATERIAL
	70/30 BRASS
	C.R. STEEL
	65/35 BRASS

MILLIMETER / INCH ; MILLIMETER / INCH
INCH

TOLERANCES: -DECIMALS 0.13 / ±.005"
Unless otherwise specified. FRACTIONS 0.20 / ±.008"
ANGLES ±1/2"

NO.	ALTERATION	DATE	BY	APP'D
C	ADDED MILLIMETERS	8/25/17	OFF.	BT
B	ADDED 65/35 BRASS	9/11/13	OFF.	RF
A	WAS REDRAWN 5/2/79	3/7/88	OFF.	BF

Stimpson

CO. INC.

1515 SW 13TH CT POMPANO BEACH, FL 33069

PART NAME: EYELET
MATERIAL: SEE TABLE SIZE: 0.23/.009"
SCALE: 8=1 DEPT: PW. PR.

DRAWN: L.T.	CHECKED: B.F.	APP'D: R.F.B.
DATE: 3.7.88	DATE: 3.7.88	DATE: 3.8.88

PART No. GS3-3