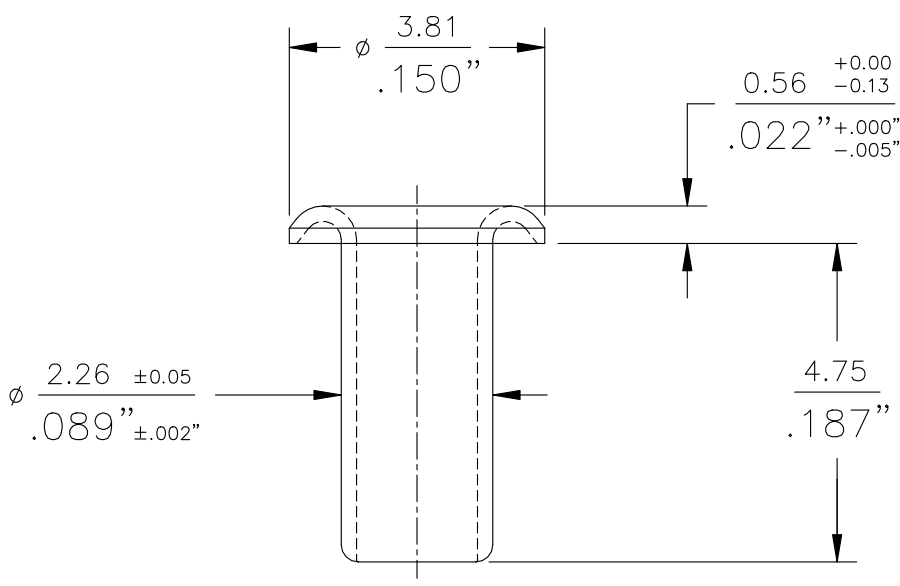
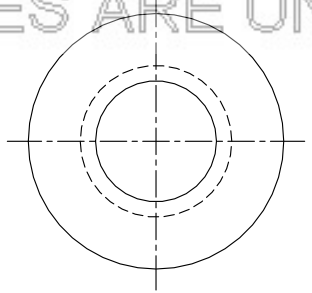


PRINTED COPIES ARE UNCONTROLLED



HOLE SIZE BEFORE FINISHING: $\frac{1.75}{.069}$ $\frac{+0.00}{-0.05}$ $\frac{+0.000}{-0.002}$

	MATERIAL
	70/30 BRASS
	C.R. STEEL
(B)	COPPER
(C)	5050 ALUM.
(D)	GILDING METAL
(D)	PHOS. BRONZE
(E)	65/35 BRASS

MILLIMETER / INCH ; MILLIMETER / INCH
INCH

TOLERANCES: -DECIMALS 0.13 / ±.005"
Unless otherwise specified. FRACTIONS 0.20 / ±.008"
ANGLES ±1/2"

NO.	ALTERATION	DATE	BY	APP'D
F	ADD MILLIMETERS	8/25/17	OFF.	BT
E	ADD MATERIAL 65/35 BRASS	9/11/13	OFF.	RF
D	ADD MATERIAL GILDING METAL AND PHOS. BRONZE	3/11/03	OFF.	BF
C	ADD MATERIAL 5050 ALUM.	8/26/02	OFF.	JR
B	ADD MATERIAL COPPER	11/10/00	OFF.	BF
A	WAS REDRAWN 5/2/79	9/11/89	OFF.	BF

Stimpson
CO. INC.
1515 SW 13TH CT POMPANO BEACH, FL 33069

PART NAME: EYELET
MATERIAL: SEE TABLE SIZE: 0.23/.009"
SCALE: 8=1 DEPT: PW. PR.

DRAWN: J.A.Y.	CHECKED: V.P.	APP'D: R.F.B.
DATE: 9.11.89	DATE: 9.20.89	DATE: 9.29.89

PART No. GS3-6