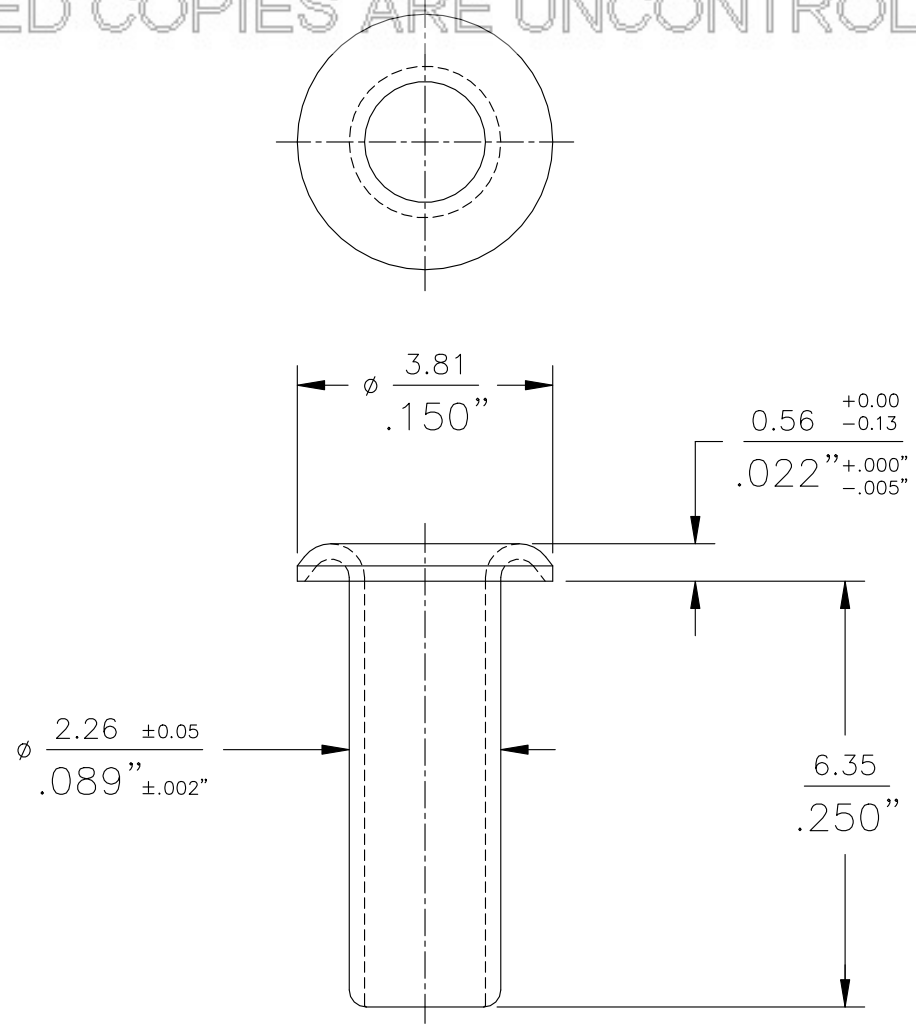


Remarks WAS A2150

PDC	01-01
SURFACE AREA	

PRINTED COPIES ARE UNCONTROLLED



	MATERIAL
	70/30 BRASS
	C.R. STEEL
(B)-	5050 ALUM.
(B)-	GILDING METAL
(C)-	65/35 BRASS

HOLE SIZE BEFORE FINISHING:  $\frac{1.75}{.069}$   $\frac{+0.00}{-0.05}$   $\frac{+0.000}{-0.002}$

MILLIMETER ; MILLIMETER / INCH  
INCH

TOLERANCES: -DECIMALS 0.13 / ±.005"  
Unless otherwise specified. FRACTIONS 0.20 / ±.008"  
ANGLES ±1/2"

NO.	ALTERATION	DATE	BY	APP'D
D	ADDED MILLIMETERS	9/21/17	OFF.	BT
C	ADDED 65/35 BRASS	10/1/13	OFF.	RF
B	MATERIAL ADDED	5/20/03	OFF.	BF
A	WAS REDRAWN 5/1/79	8/3/89	OFF.	BF

1515 SW 13TH CT POMPANO BEACH, FL 33069

PART NAME: EYELET
MATERIAL: SEE TABLE      SIZE: 0.23/.009"
SCALE: 8:1      DEPT: PW. PR.

DRAWN: J.A.Y.	CHECKED: V.P.	APP'D: R.F.B.
DATE: 8.3.89	DATE: 8.3.89	DATE: 8.4.89

PART No. GS3-8