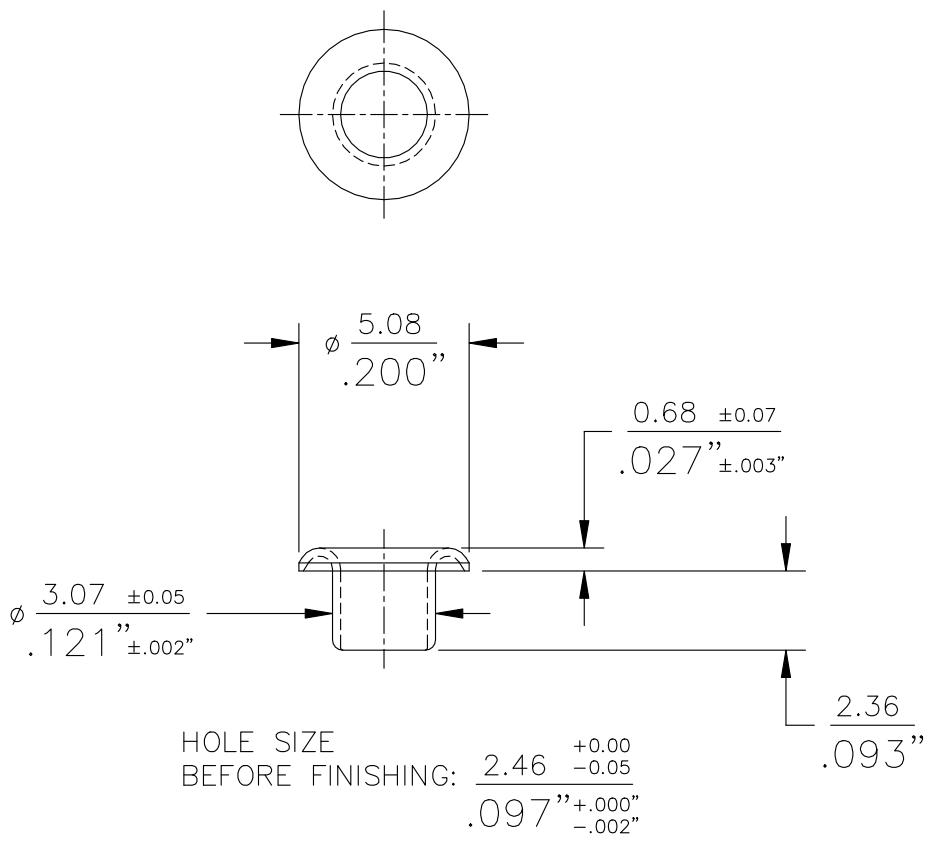


Remarks WAS A2162

PDC	01-01
SURFACE AREA	

PRINTED COPIES ARE UNCONTROLLED




MATERIAL
70/30 BRASS
COLD ROLLED STEEL
5050 ALUMINUM

MILLIMETER ; MILLIMETER / INCH  
INCH

TOLERANCES: -DECIMALS 0.13 / ±.005"  
Unless otherwise specified. FRACTIONS 0.20 / ±.008"  
ANGLES ±1/2"

B	ADDED MILLIMETERS	6/11/19	OFF.	BT
A	WAS REDRAWN 4/30/79	3/9/88	OFF.	BF
NO.	ALTERATION	DATE	BY	APP'D



1515 SW 13TH CT POMPANO BEACH, FL 33069

PART NAME: EYELET

MATERIAL: SEE TABLE      SIZE: 0.24/.0095"

SCALE: 4=1      DEPT: PW. PR.

DRAWN: L.T.	CHECKED: B.F.	APP'D: R.F.B.
DATE: 3.9.88	DATE: 3.10.88	DATE: 3.12.88

PART No. GS4-3