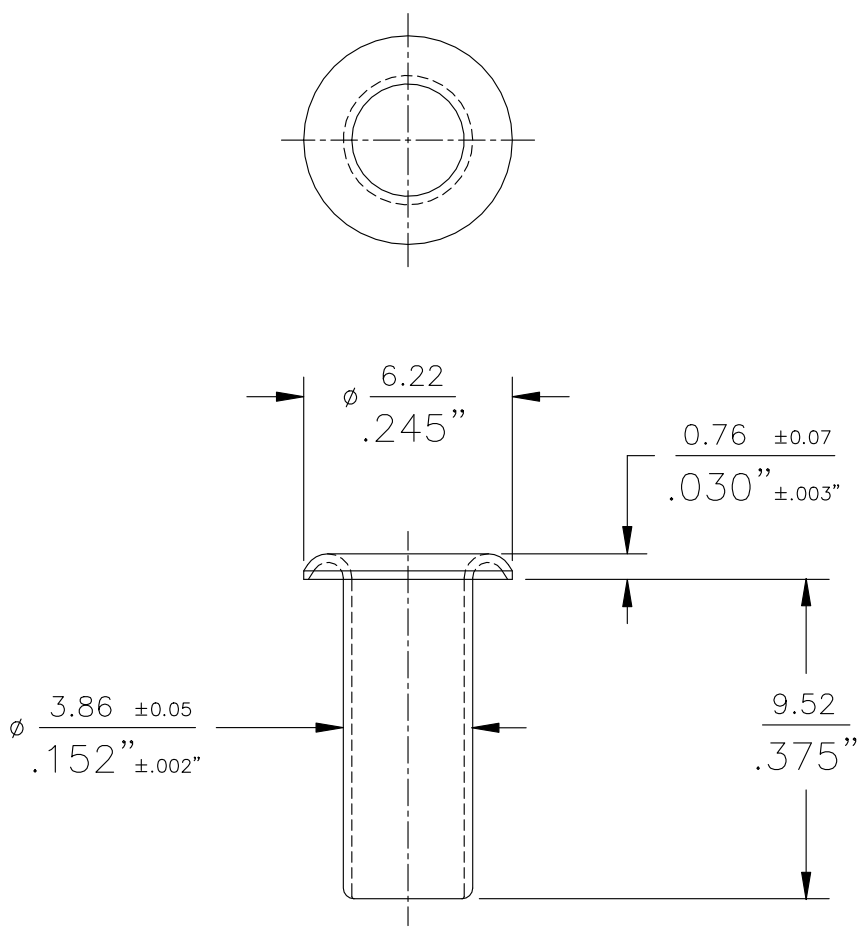


Remarks WAS A2477

PDC	01-01
SURFACE AREA	

PRINTED COPIES ARE UNCONTROLLED



HOLE SIZE BEFORE FINISHING:  $\frac{3.22}{.127} \begin{matrix} +0.00 \\ -0.05 \\ +.000 \\ -.002 \end{matrix}$

	MATERIAL
	70/30 BRASS
	5050 ALUMINUM
(B)	C.R. STEEL
(C)	65/35 BRASS

MILLIMETER ; MILLIMETER / INCH  
INCH

TOLERANCES: -DECIMALS 0.13 / ±.005"  
Unless otherwise specified. FRACTIONS 0.20 / ±.008"  
ANGLES ±1/2"

NO.	ALTERATION	DATE	BY	APP'D
D	ADDED MILLIMETERS	9/25/17	OFF.	BT
C	ADDED 65/35 BRASS	7/13/16	OFF.	JC
B	ADDED C.R. STEEL	3/14/02	OFF.	BF
A	WAS REDRAWN 6/4/79	6/23/88	OFF.	BF

1515 SW 13TH CT POMPANO BEACH, FL 33069

PART NAME: EYELET  
MATERIAL: SEE TABLE SIZE: 0.25/.010"  
SCALE: 4=1 DEPT: PW. PR.

DRAWN: J.A.Y. CHECKED: V.P. APP'D: R.F.B.  
DATE: 6.23.88 DATE: 6.23.88 DATE: 6.24.88

PART No. GS5-12