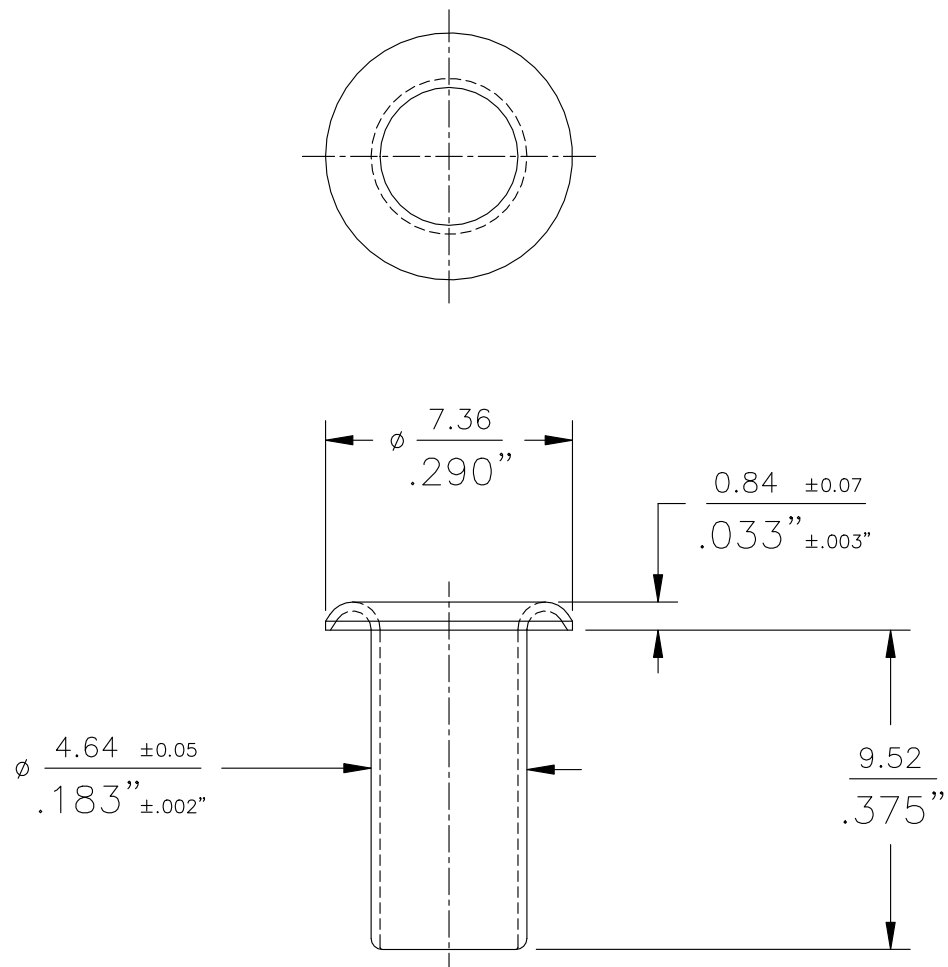


Remarks WAS A2478

PDC	01-01
SURFACE AREA	

PRINTED COPIES ARE UNCONTROLLED



HOLE SIZE BEFORE FINISHING: $\frac{3.99}{.157}$ $\frac{+0.00}{-0.05}$ $\frac{+.000}{-.002}$

MATERIAL
70/30 BRASS
65/35 BRASS

ⓑ-

MILLIMETER / INCH ; MILLIMETER / INCH
INCH

TOLERANCES: -DECIMALS 0.13 / ±.005"
Unless otherwise specified. FRACTIONS 0.20 / ±.008"
ANGLES ±1/2"

B	ADDED 65/35 BRASS ADDED MILLIMETERS	10/5/17	OFF.	BT
A	WAS REDRAWN 6/4/79	12/12/89	OFF.	BF
NO.	ALTERATION	DATE	BY	APP'D

1515 SW 13TH CT POMPANO BEACH, FL 33069

PART NAME: EYELET
MATERIAL: SEE TABLE SIZE: 0.26/.0105"
SCALE: 4=1 DEPT: PW. PR.

DRAWN: J.A.Y.	CHECKED: V.P.	APP'D: R.F.B.
DATE: 12.12.89	DATE: 12.13.89	DATE: 12.15.89

PART No. GS6-12