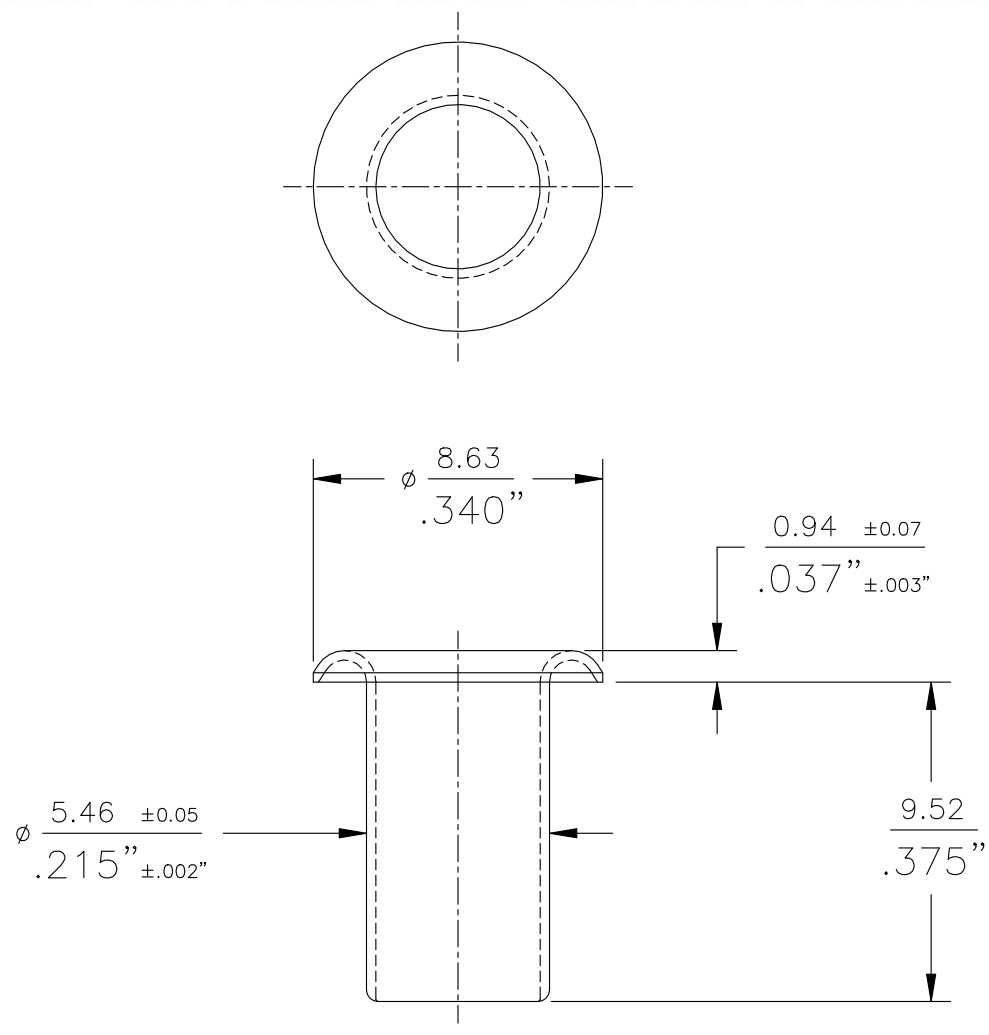


PRINTED COPIES ARE UNCONTROLLED



HOLE SIZE BEFORE FINISHING: $\frac{4.77}{.188} \begin{matrix} +0.00 \\ -0.05 \\ +.000'' \\ -.002'' \end{matrix}$

MATERIAL
70/30 BRASS
5050 ALUM.
Ⓑ 65/35 BRASS

MILLIMETER ; MILLIMETER / INCH
INCH

TOLERANCES: -DECIMALS 0.13 / ±.005"
Unless otherwise specified. FRACTIONS 0.20 / ±.008"
ANGLES ±1/2"

NO.	ALTERATION	DATE	BY	APP'D
C	ADDED MILLIMETERS	10/16/17	OFF.	BT
B	ADDED 65/35 BRASS	10/3/13	OFF.	RF
A	REDRAWN WAS 6/5/79	10/25/88	OFF.	BF

1515 SW 13TH CT POMPANO BEACH, FL 33069

PART NAME: EYELET
MATERIAL: SEE TABLE SIZE: 0.28/.011"
SCALE: 4=1 DEPT: PW. PR.

DRAWN: J.A.Y. CHECKED: V.P. APP'D: R.F.B.
DATE: 10.25.88 DATE: 10.25.88 DATE: 10.27.88

PART No. GS7-12