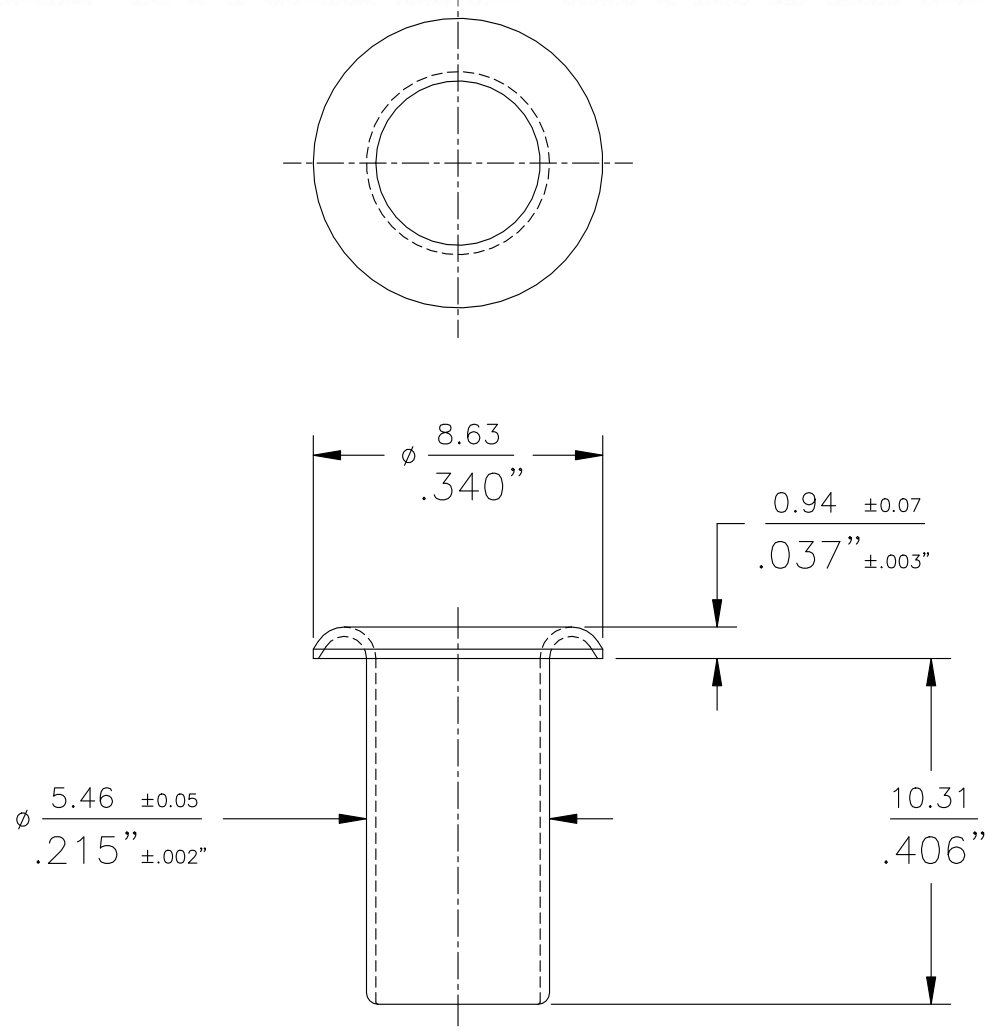


PRINTED COPIES ARE UNCONTROLLED



HOLE SIZE BEFORE FINISHING:  $4.77 \begin{smallmatrix} +0.00 \\ -0.05 \end{smallmatrix}$   
 $.188 \begin{smallmatrix} +.000 \\ -.002 \end{smallmatrix}$

MATERIAL
70/30 BRASS
C.R. STEEL
Ⓑ 65/35 BRASS

MILLIMETER ; MILLIMETER / INCH  
 INCH

TOLERANCES: -DECIMALS 0.13 / ±.005"  
 Unless otherwise specified. FRACTIONS 0.20 / ±.008"  
 ANGLES ±1/2"

NO.	ALTERATION	DATE	BY	APP'D
C	ADDED MILLIMETERS	10/16/17	OFF.	BT
B	ADDED 65/35 BRASS	9/12/13	OFF.	RF
A	WAS REDRAWN 6/5/79	12/14/89	OFF.	BF

1515 SW 13TH CT POMPANO BEACH, FL 33069

PART NAME: EYELET	
MATERIAL: SEE TABLE	SIZE: 0.28/.011"
SCALE: 4=1	DEPT: P.W. PR.

DRAWN: J.A.Y.	CHECKED: V.P.	APP'D: R.F.B.
DATE: 12.14.89	DATE: 12.14.89	DATE: 12.16.89

PART No. GS7-13