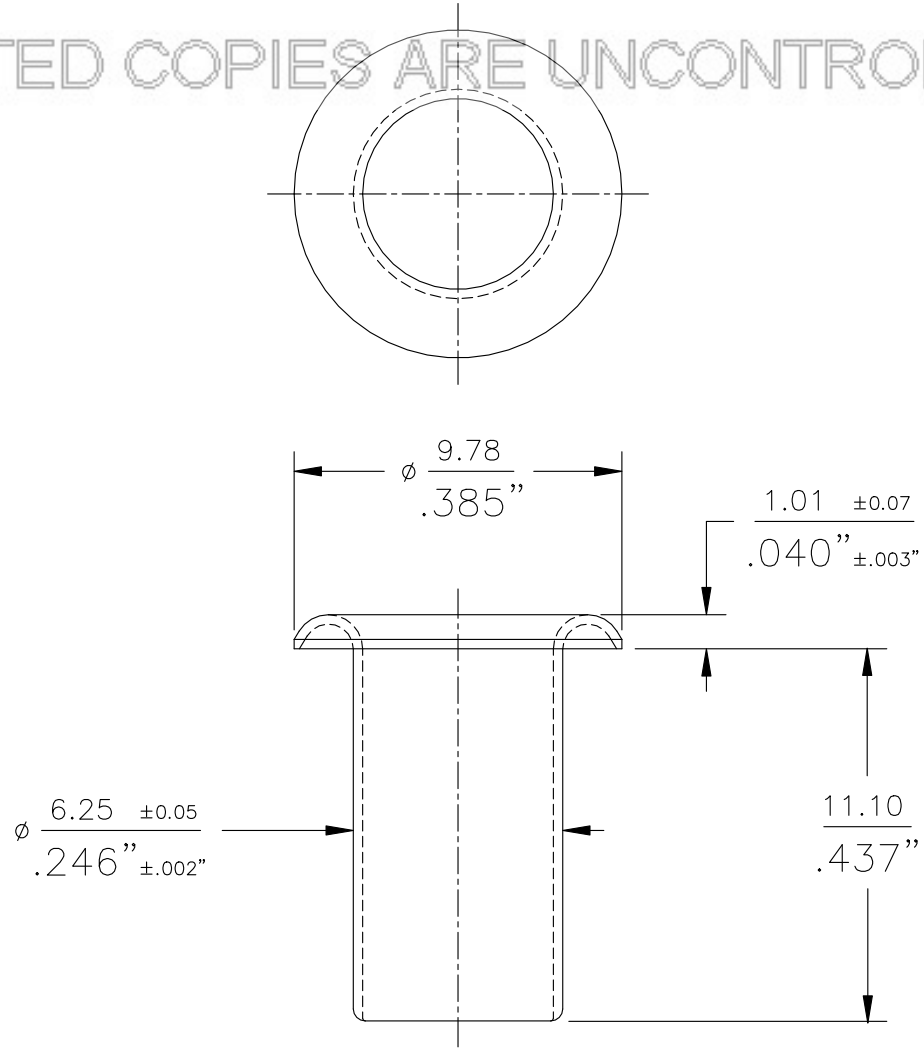


PRINTED COPIES ARE UNCONTROLLED




HOLE SIZE BEFORE FINISHING:  $5.53 \begin{smallmatrix} +0.00 \\ -0.05 \end{smallmatrix}$   
 $.218 \begin{smallmatrix} +.000 \\ -.002 \end{smallmatrix}$

MATERIAL	SIZE
70/30 BRASS	0.28/.011"
C.R. STEEL	0.30/.012"
(B) 305 STAIN. STEEL	0.30/.012"
(C) 65/35 BRASS	0.28/.011"
(D) 304 STAIN. STEEL	0.30/.012"

MILLIMETER / INCH ; MILLIMETER / INCH  
 INCH

TOLERANCES: -DECIMALS 0.13 / ±.005"  
 Unless otherwise specified. FRACTIONS 0.20 / ±.008"  
 ANGLES ±1/2'

NO.	ALTERATION	DATE	BY	APP'D
E	ADDED MILLIMETERS	11/8/17	OFF.	BT
D	ADDED 304 STAIN. STEEL	9/16/15	OFF.	RF
C	ADDED 65/35	9/10/13	OFF.	RF
B	ADDED 305 STAIN. STEEL	12/1/04	OFF.	BF
A	WAS REDRAWN 6/13/79	10/31/88	OFF.	BF



# Stimpson

CO. INC.

1515 SW 13TH CT POMPANO BEACH, FL 33069

PART NAME: EYELET
MATERIAL: SEE TABLE      SIZE: SEE TABLE
SCALE: 4=1      DEPT: PW. PR.

DRAWN: J.A.Y.	CHECKED: V.P.	APP'D: R.F.B.
DATE: 10.31.88	DATE: 10.31.88	DATE: 11.1.88

PART No. GS8-14