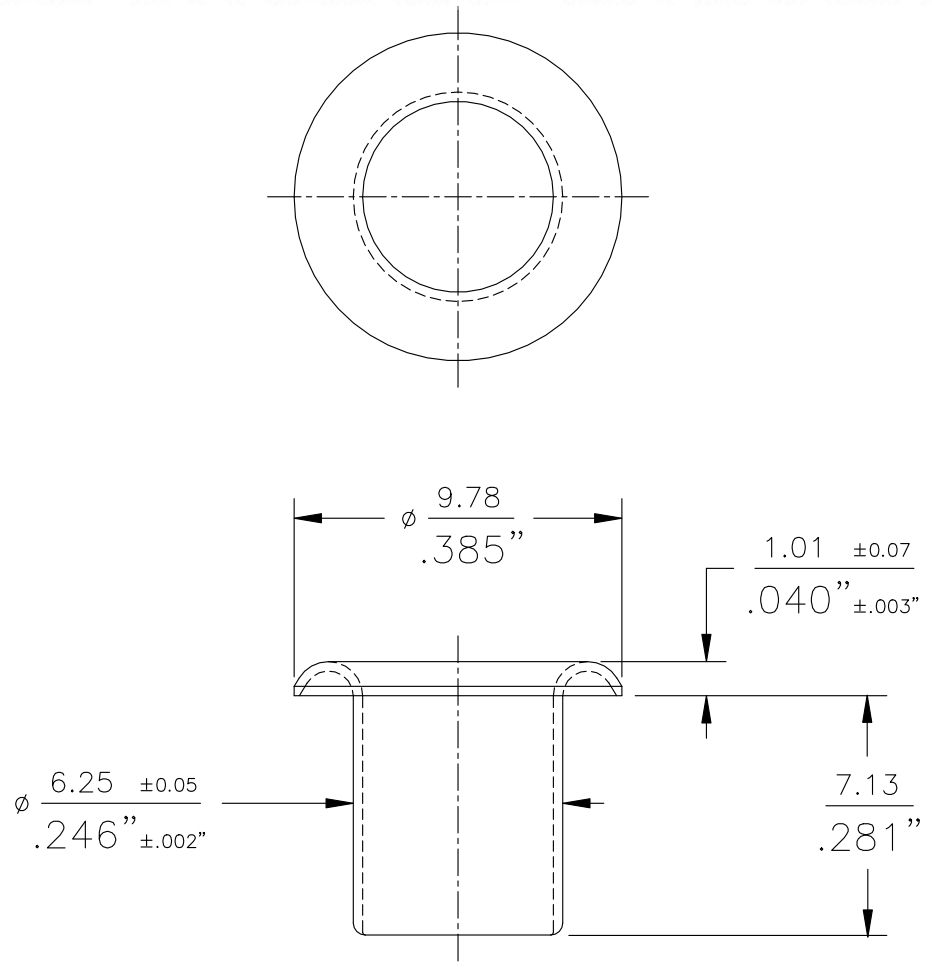


Remarks WAS A2340

PDC	01-01
SURFACE AREA	

PRINTED COPIES ARE UNCONTROLLED



HOLE SIZE BEFORE FINISHING:  $\frac{5.53}{-0.05}^{+0.00}$   
 $\frac{.218}{-0.002}^{+.000}$

MATERIAL
70/30 BRASS
C.R. BRASS
5050 ALUM.
Ⓑ 65/35 BRASS

MILLIMETER ; MILLIMETER / INCH  
 INCH

TOLERANCES: -DECIMALS 0.13 / ±.005"  
 Unless otherwise specified. FRACTIONS 0.20 / ±.008"  
 ANGLES ±1/2"

NO.	ALTERATION	DATE	BY	APP'D
C	ADDED MILLIMETERS	11/8/17	OFF.	BT
B	ADDED 65/35 BRASS	10/8/13	OFF.	RF
A	WAS REDRAWN, 6/6/79	5/3/88	OFF.	BF

1515 SW 13TH CT POMPANO BEACH, FL 33069

PART NAME: EYELET	
MATERIAL: SEE TABLE	SIZE: 0.28/.011"
SCALE: 4=1	DEPT: PW. PR.

DRAWN: J.A.Y.	CHECKED: B.F.	APP'D: R.F.B.
DATE: 5.3.88	DATE: 5.4.88	DATE: 5.5.88

PART No. GS8-9